

HSE-600 Single Output Switching Power Supply

Features:

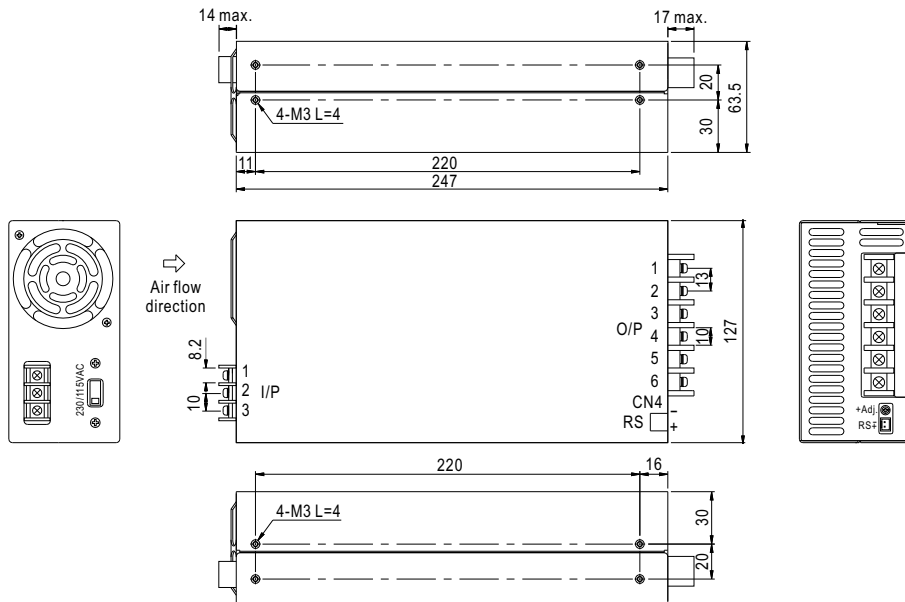
AC input active surge current limiting
 AC input range selected by switch
 Protections: Short circuit/ Over load/ Over voltage/ Over temperature
 Forced air cooling by built-in DC fan
 High power density 4.9w/inch
 Built-in remote sense function
 Low cost
 1 year warranty
 Dimensions: 247*127*63.5mm (L*W*H)

MODEL		HSE-600-05	HSE-600-12	HSE-600-15	HSE-600-18	HSE-600-24	HSE-600-48
OUTPUT	DC VOLTAGE		12V			24V	
	VOLTAGE TOLERANCE		±1%			±1%	
	RATED CURRENT		50A			25A	
	CURRENT RANGE		0-50A			0-25A	
	RATED POWER		600W			600W	
	RIPPLE & NOISE		150mVp-p			150mVp-p	
	SETUP, RISE, HOLD TIME	1000ms, 50ms/230VAC, 1000ms, 50ms/115VAC at full load					
INPUT	AC CURRENT	12 A/115 VAC 7.5A/ 230 VAC					
	VOLTAGE RANGE	90~132VAC / 180~264 VAC selected by switch 254~370VDC					
	EFFICIENCY	HSE-600-12 : 83%, HSE-600-24 : 87%					
	INRUSH CURRENT	25A/115VAC, 50A/230VAC					
	LEAKAGE	< 2.0 mA/240VAC					
PROTECTION	OVER VOLTAGE	Protection type: Shut down o/p voltage, re-power on to recover HSE-600-12:13.8V~16.2V, HSE-600-24:27.6~32.4V					
	OVER LOAD	105~125% rated output power, Protection type:shut down o/p voltage, re-power on to recover					
	OVER TEMP.	Protection type:Shut down o/p voltage, recovers automatically after temperature goes down 85°C(+,-)5°C(TSW1) detect on heatsink of power transistor					
ENVIRONMENT	STORAGE TEMP., HUMIDITY	-40°C~+85°C, 10%~95% RH					
	WORKING TEMP.	-20°C~+60°C (Refer to output load derating curve)					
	VIBRATION	10~500Hz, 2G 10min./1cycle, 60min, each along X, Y, Z axes					
SAFETY	ISOLATION RESISTANCE	I/P-O/P, I/P-FG,O/P-FG 100M Ohms / 500VDC					
	WITHSTAND VOLTAGE	I/P-O/P:3KVAC,I/P-FG:1.5KVAC O/P-FG:0.5KVAC					
	SAFETY STANDARD	UL60950-1 approved					
OTHERS	MTBF	197K hrs min. MIL-DHBK-217F(25°C)					
	WEIGHT	2.1Kg;					
	PACKING	6pcs/13.4kg/1.03CUFT					

600W Single Output Power Supply

Mechanical Specification

Unit:mm



AC input terminal :

Pin No.	Assignment
1	AC/L
2	AC/N
3	FG \perp

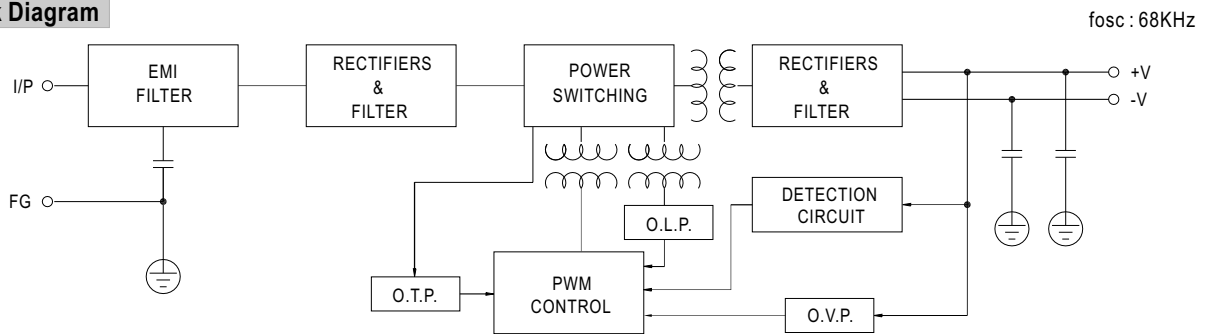
DC Output terminal :

Pin No.	Assignment
1~3	+V
4~6	-V

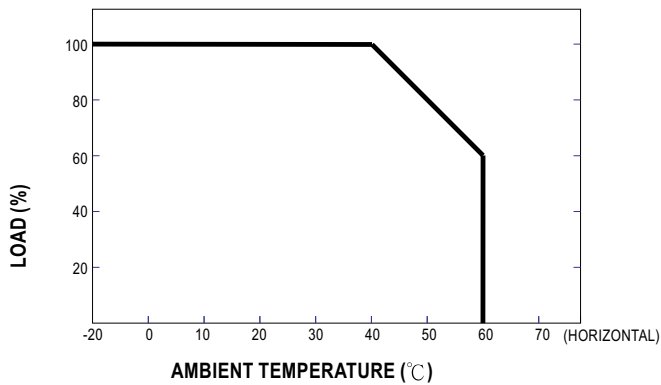
RS Connector (CN4) : JST B-XH or equivalent

Pin No.	Assignment	Mating Housing	Terminal
1	+S	JST XHP or equivalent	JST SXH-001T or equivalent
2	-S		

Block Diagram



Derating Curve



Static Characteristics

